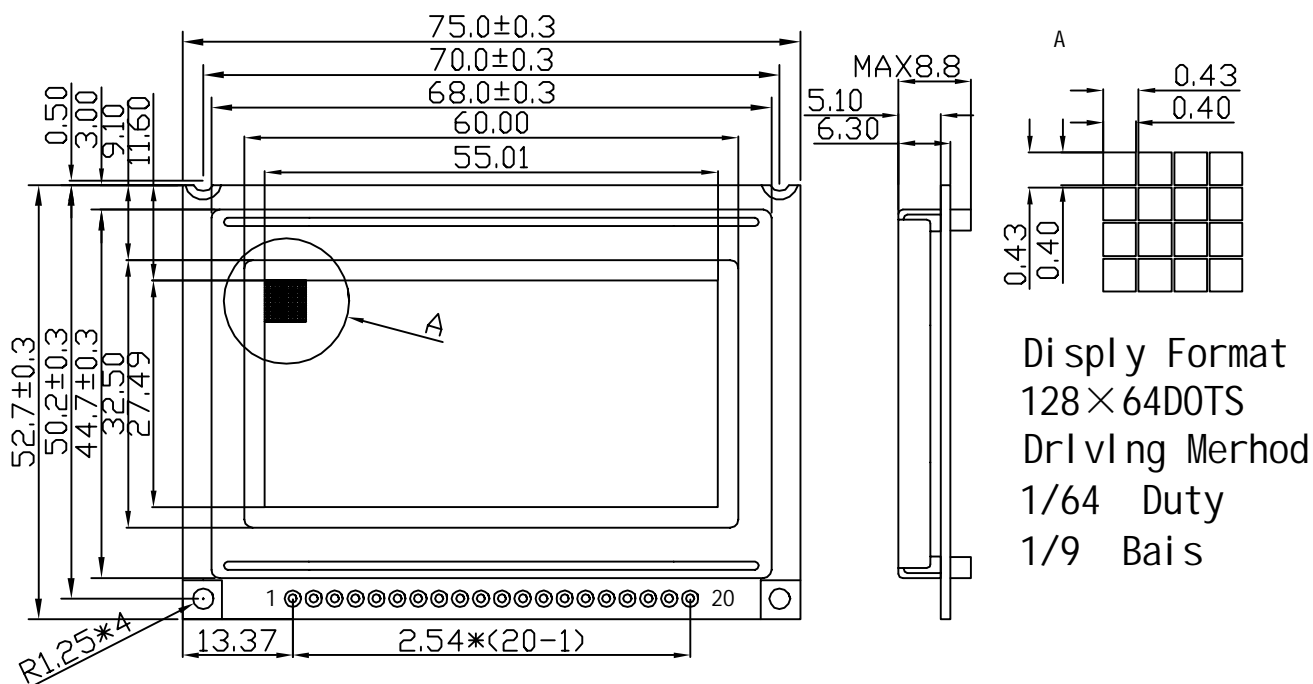


## ① PHYSICAL DIMENSION/外型尺寸

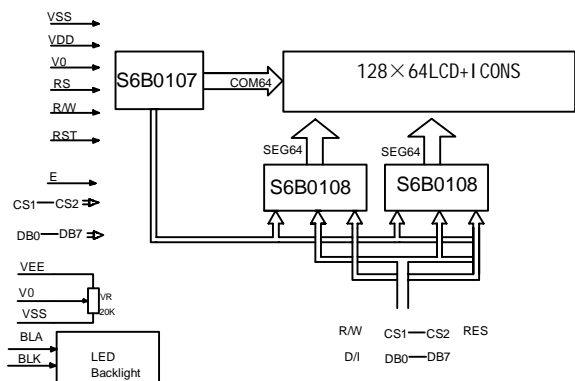


## ② FEATURES/特征

Feature(特征)	UNIT(单位)
LCD type & Colour(类型及颜色)	STN Yellow-green
View Angle(视角)	6.0° clock
Operating temperature(工作温度)	-20°C ---- 70°C
Storage Temperature(贮存温度)	-30°C ---- 80°C
Control IC & Package(控制芯片及封装)	S6B0107, COB
Weight(重量)	36 (With B/L)
Backlight(背光类型)	LED

	Ta=25°C	MIN(最小)	TYP(典型)	MAX(最大)	UNIT(单位)
Supply current don't contain backlight(无背光时电流)	0		9.2		mA
VDD(电源)	-0.3		5.0	5.5	V
VLCD-V0(LCD驱动电压)	0		-4.7		V
Backlight LED (背光电压, 电流)	侧背光	0	5.0	5.0	V
	底背光	0	65		mA

## ④ BLOCK DIAGRAM/原理电路



## ③ PIN CONFIGURATION/管脚说明

PIN	SYMBOL	DESCRIPTION(定义描述)
1	VDD	Power positive(逻辑电压)
2	VSS	Power ground(地)
3	V0	Operating voltage for LCD Driver(对比度调节)
4	DB0	Data bus [0-7]. These state I/O common terminal. (数据线0-7)
5	DB1	
6	DB2	
7	DB3	
8	DB4	
9	DB5	
10	DB6	
11	DB7	
12	CS1	Chip select signal(片选1)
13	CS2	Chip select signal(片选2)
14	RST	Reset Signal(复位)
15	RW	Read or Write.(写数据)
16	RS	H: Data L: Instruction Code(指令 数据信号)
17	E	Enable trigger.(使能信号)
18	VEE	Negative voltage output(负压输出)
19	BLA	Power supply for backlight(+)(背光正极)
20	BLK	Power supply for backlight(-)(背光负极)

## ⑤ ELUCIDATION/补充备注

--